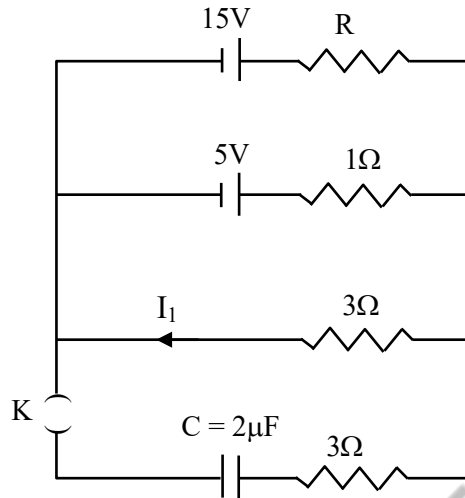
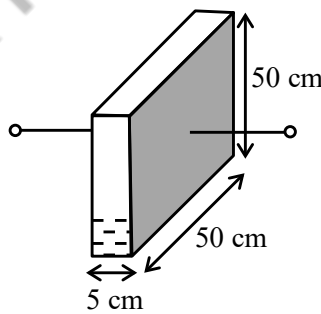


CAPACITANCE

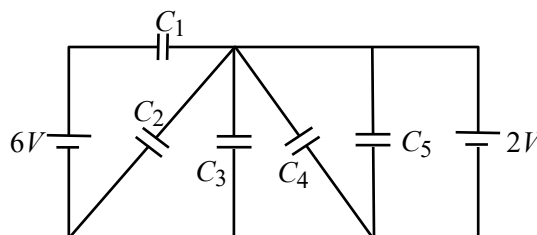
1. In a circuit shown in the figure, the capacitor C is initially uncharged and the key K is open. In this condition, a current of 1 A flows through the 1Ω resistor. The key is closed at time $t = t_0$. Which of the following statement(s) is(are) correct? [Given: $e^{-1} = 0.36$] [JEE(Advanced) 2023]



- (A) The value of the resistance R is 3Ω .
 (B) For $t < t_0$, the value of current I_1 is 2A.
 (C) At $t = t_0 + 7.2 \mu\text{s}$, the current in the capacitor is 0.6 A.
 (D) For $t \rightarrow \infty$, the charge on the capacitor is $12 \mu\text{C}$.
2. A container has a base of $50 \text{ cm} \times 50 \text{ cm}$ and height 50 cm, as shown in the figure. It has two parallel electrically conducting walls each of area $50 \text{ cm} \times 50 \text{ cm}$. The remaining walls of the container are thin and non-conducting. The container is being filled with a liquid of dielectric constant 3 at a uniform rate of $250 \text{ cm}^3 \text{ s}^{-1}$. What is the value of the capacitance of the container after 10 seconds? [Given: Permittivity of free space $\epsilon_0 = 9 \times 10^{-12} \text{ C}^2 \text{ N}^{-1} \text{ m}^{-2}$, the effects of the non-conducting walls on the capacitance are negligible] [JEE(Advanced) 2023]



- (A) 27 pF (B) 63 pF (C) 81 pF (D) 135 pF
3. In the following circuit $C_1 = 12 \mu\text{F}$, $C_2 = C_3 = 4 \mu\text{F}$ and $C_4 = C_5 = 2 \mu\text{F}$. The Charge stored in C_3 is _____ μC . [JEE(Advanced) 2022]



4. A medium having dielectric constant $K > 1$ fills the space between the plates of a parallel plate capacitor. The plates have large area, and the distance between them is d . The capacitor is connected to a battery of voltage V as shown in Figure (a). Now, both the plates are moved by a distance of $\frac{d}{2}$ from their original positions, as shown in Figure (b). [JEE(Advanced) 2022]

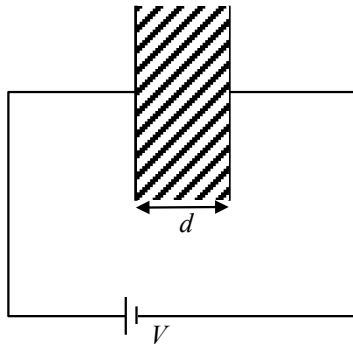


Figure (a)

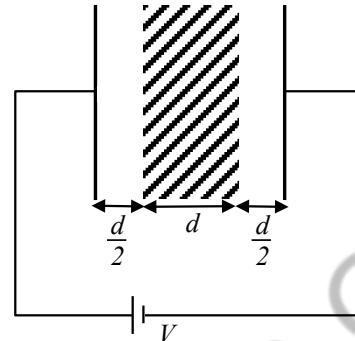


Figure (b)

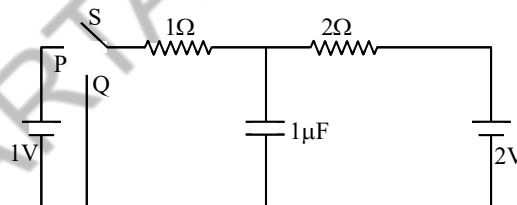
In the process of going from the configuration depicted in Figure (a) to that in Figure (b), which of the following statement(s) is(are) correct?

- (A) The electric field inside the dielectric material is reduced by a factor of $2K$.
 (B) The capacitance is decreased by a factor of $\frac{1}{K+1}$.
 (C) The voltage between the capacitor plates is increased by a factor of $(K+1)$.
 (D) The work done in the process **DOES NOT** depend on the presence of the dielectric material.

Question Stem for Question Nos. 5 and 6

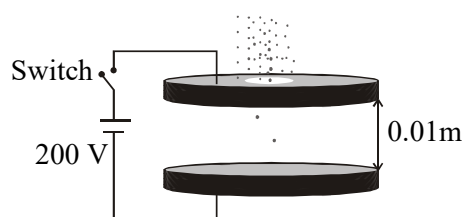
Question Stem

In the circuit shown below, the switch S is connected to position P for a long time so that the charge on the capacitor becomes $q_1 \mu\text{C}$. Then S is switched to position Q . After a long time, the charge on the capacitor is $q_2 \mu\text{C}$.

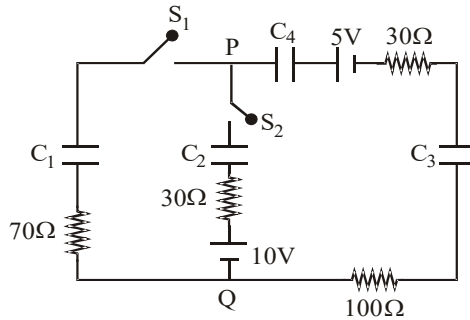


5. The magnitude of q_1 is _____. [JEE(Advanced) 2021]
 6. The magnitude of q_2 is _____. [JEE(Advanced) 2021]
 7. Two large circular discs separated by a distance of 0.01 m are connected to a battery via a switch as shown in the figure. Charged oil drops of density 900 kg m^{-3} are released through a tiny hole at the center of the top disc. Once some oil drops achieve terminal velocity, the switch is closed to apply a voltage of 200 V across the discs. As a result, an oil drop of radius $8 \times 10^{-7} \text{ m}$ stops moving vertically and floats between the discs. The number of electrons present in this oil drop is _____. (neglect the buoyancy force, take acceleration due to gravity $= 10 \text{ ms}^{-2}$ and charge on an electron $(e) = 1.6 \times 10^{-19} \text{ C}$)

[JEE(Advanced) 2020]



8. In the circuit shown, initially there is no charge on capacitors and keys S_1 and S_2 are open. The values of the capacitors are $C_1 = 10 \mu\text{F}$, $C_2 = 30 \mu\text{F}$ and $C_3 = C_4 = 80 \mu\text{F}$. [JEE(Advanced) 2019]

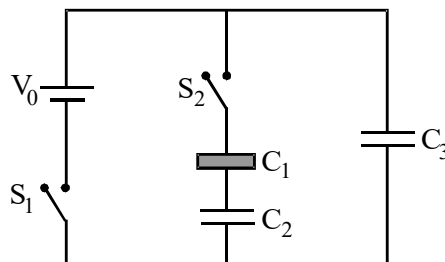


Which of the statement(s) is/are correct ?

- (A) The keys S_1 is kept closed for long time such that capacitors are fully charged. Now key S_2 is closed, at this time, the instantaneous current across 30Ω resistor (between points P and Q) will be 0.2 A (round off to 1st decimal place).
- (B) If key S_1 is kept closed for long time such that capacitors are fully charged, the voltage difference between points P and Q will be 10 V .
- (C) At time $t = 0$, the key S_1 is closed, the instantaneous current in the closed circuit will be 25 mA .
- (D) If key S_1 is kept closed for long time such that capacitors are fully charged, the voltage across the capacitors C_1 will be 4 V .
9. A parallel plate capacitor of capacitance C has spacing d between two plates having area A . The region between the plates is filled with N dielectric layers, parallel to its plates, each with thickness $\delta = \frac{d}{N}$. The dielectric constant of the m^{th} layer is $K_m = K \left(1 + \frac{m}{N} \right)$. For a very large $N (> 10^3)$, the capacitance C is $\alpha \left(\frac{K \epsilon_0 A}{d \ln 2} \right)$. The value of α will be _____. [JEE(Advanced) 2019]

$[\epsilon_0$ is the permittivity of free space]

10. Three identical capacitors C_1 , C_2 and C_3 have a capacitance of $1.0 \mu\text{F}$ each and they are uncharged initially. They are connected in a circuit as shown in the figure and C_1 is then filled completely with a dielectric material of relative permittivity ϵ_r . The cell electromotive force (emf) $V_0 = 8 \text{ V}$. First the switch S_1 is closed while the switch S_2 is kept open. When the capacitor C_3 is fully charged, S_1 is opened and S_2 is closed simultaneously. When all the capacitors reach equilibrium, the charge on C_3 is found to be $5 \mu\text{C}$. The value of ϵ_r . [JEE(Advanced) 2018]



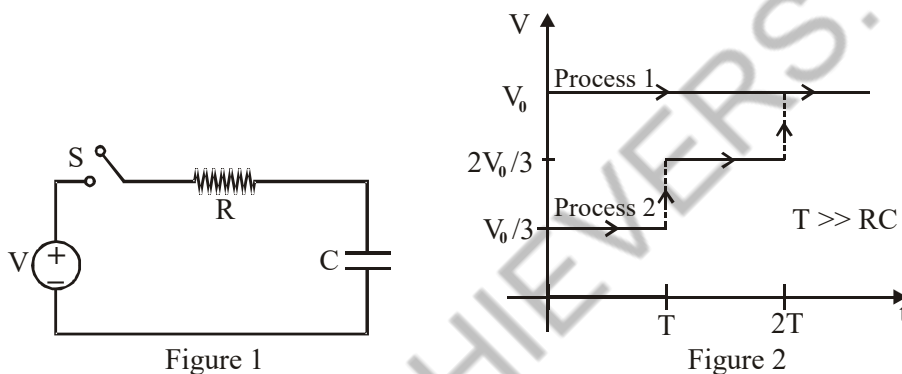
Paragraph for Question Nos. 11 and 12

Consider a simple RC circuit as shown in figure 1.

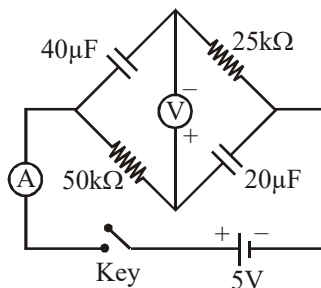
Process 1 : In the circuit the switch S is closed at $t = 0$ and the capacitor is fully charged to voltage V_0 (i.e., charging continues for time $T \gg RC$). In the process some dissipation (E_D) occurs across the resistance R. The amount of energy finally stored in the fully charged capacitor is E_C .

Process 2 : In a different process the voltage is first set to $\frac{V_0}{3}$ and maintained for a charging time $T \gg RC$. Then the voltage is raised to $\frac{2V_0}{3}$ without discharging the capacitor and again maintained for a time $T \gg RC$. The process is repeated one more time by raising the voltage to V_0 and the capacitor is charged to the same final voltage V_0 as in Process 1.

These two processes are depicted in Figure 2.

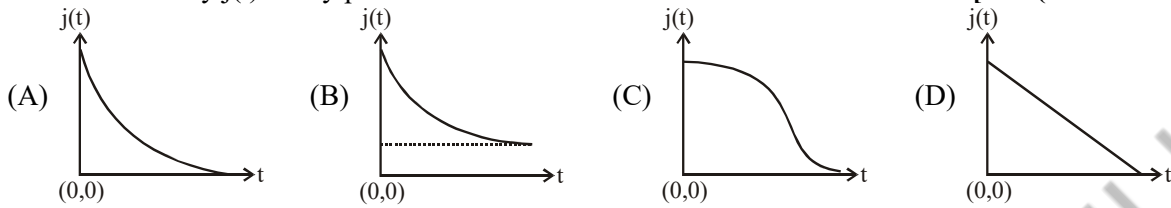


11. In Process 1, the energy stored in the capacitor E_C and heat dissipated across resistance E_D are related by :- [JEE(Advanced) 2017]
 (A) $E_C = E_D$ (B) $E_C = 2E_D$ (C) $E_C = \frac{1}{2} E_D$ (D) $E_C = E_D \ln 2$
12. In Process 2, total energy dissipated across the resistance E_D is :- [JEE(Advanced) 2017]
 (A) $E_D = \frac{1}{3} \left(\frac{1}{2} CV_0^2 \right)$ (B) $E_D = 3 \left(\frac{1}{2} CV_0^2 \right)$ (C) $E_D = \frac{1}{2} CV_0^2$ (D) $E_D = 3CV_0^2$
13. In the circuit shown below, the key is pressed at time $t = 0$. Which of the following statement(s) is(are) true ? [JEE(Advanced) 2016]

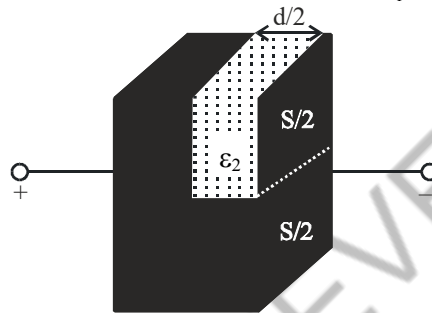


- (A) The voltmeter displays $-5V$ as soon as the key is pressed, and displays $+5V$ after a long time
- (B) The voltmeter will display $0 V$ at time $t = \ln 2$ seconds
- (C) The current in the ammeter becomes $1/e$ of the initial value after 1 second
- (D) The current in the ammeter becomes zero after a long time

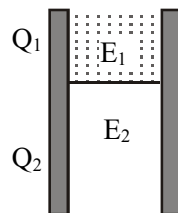
14. An infinite line charge of uniform electric charge density λ lies along the axis of an electrically conducting infinite cylindrical shell of radius R . At time $t = 0$, the space inside the cylinder is filled with a material of permittivity ϵ and electrical conductivity σ . The electrical conduction in the material follows Ohm's law. Which one of the following graphs best describes the subsequent variation of the magnitude of current density $j(t)$ at any point in the material? [JEE(Advanced) 2016]



15. A parallel plate capacitor having plates of area S and plate separation d , has capacitance C_1 in air. When two dielectrics of different relative permittivities ($\epsilon_1 = 2$ and $\epsilon_2 = 4$) are introduced between the two plates as shown in the figure, the capacitance becomes C_2 . The ratio $\frac{C_2}{C_1}$ is :- [JEE(Advanced) 2015]



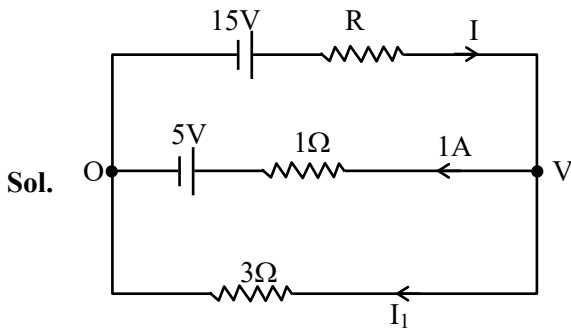
- (A) $\frac{6}{5}$ (B) $\frac{5}{3}$ (C) $\frac{7}{5}$ (D) $\frac{7}{3}$
16. A parallel plate capacitor has a dielectric slab of dielectric constant K between its plates that covers $1/3$ of the area of its plates, as shown in the figure. The total capacitance of the capacitor is C while that of the portion with dielectric in between is C_1 . When the capacitor is charged, the plate area covered by the dielectric gets charge Q_1 and the rest of the area gets charge Q_2 . The electric field in the dielectric is E_1 and that in the other portion is E_2 . Choose the correct option/options, ignoring edge effects. [JEE(Advanced) 2014]



- (A) $\frac{E_1}{E_2} = 1$ (B) $\frac{E_1}{E_2} = \frac{1}{K}$ (C) $\frac{Q_1}{Q_2} = \frac{3}{K}$ (D) $\frac{C}{C_1} = \frac{2+K}{K}$

SOLUTIONS

1. **Ans. (A, B, C, D)**



By writing voltage drop across 1Ω

$$\Rightarrow 0 + 5 + 1 \times 1 = V$$

$$V = 6$$

\Rightarrow Similarly across R

$$0 + 15 - I \times R = 6$$

$$IR = 9$$

\Rightarrow across 3Ω

$$6 - 3 I_1 = 0$$

$$I_1 = 2A$$

Hence option (B) is correct

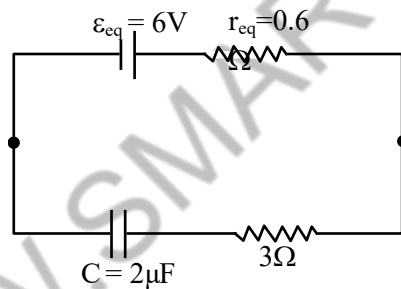
$$\Rightarrow I = 1 + 2 \quad (\text{by KCL})$$

$$I = 3$$

$$IR = 9$$

$$R = 3\Omega$$

Option (A) is correct



$$\varepsilon = \frac{15}{\frac{1}{3} + \frac{1}{1} + \frac{1}{3}} = 10 \times \frac{3}{5} = 6V$$

$$q_{\max} = 2 \times 6 = 12\mu C$$

$$i = \frac{6}{3.6} e^{-\frac{t}{\tau}}$$

$$= \frac{5}{3} e^{-\frac{7.2}{7.2}} = \frac{5}{3} e^{-1} \approx 0.6A$$

2. **Ans. (B)**

Sol. In $t = 10$ sec volume of liquid is

$$V = 2500 \text{ cc}$$

$$h = \frac{2500}{50 \times 5} = 10 \text{ cm}$$

$$C_d = \frac{A_d \varepsilon_0 k}{d}$$

$$= \frac{50 \times 10^{-2} \times 10 \times 10^{-2} \varepsilon_0 \times 3}{5 \times 10^{-2}} = 3\varepsilon_0$$

$$C_a = \frac{A_a \varepsilon_0}{d} = \frac{50 \times 10^{-2} \times 40 \times 10^{-2} \varepsilon_0}{5 \times 10^{-2}} = 4\varepsilon_0$$

$$C = C_a + C_d = 7\varepsilon_0$$

$$= 7 \times 9 \times 10^{-12} = 63 \text{ Pf}$$

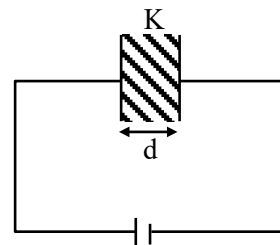
3. **Ans. (7.9 - 8.1)**

Sol. Potential difference across the terminals of C_3 is 2V.

$$\therefore Q_3 = CV = (4\mu)(2) = 8\mu C$$

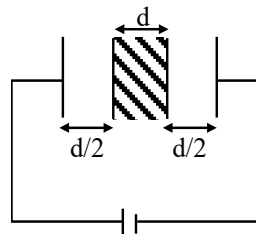
4. **Ans. (B)**

Sol. For figure(a)



$$E_0 = \frac{V}{d}; C = \frac{K\varepsilon_0 A}{d}$$

For figure(b)



$$C' = \frac{\varepsilon_0 A}{2d - d + d/k};$$

$$C' = \frac{K\varepsilon_0 A}{(K+1)d}; C' = \frac{C}{K+1}$$

Hence, Charge on each capacitor is same.

$$Q = C_{eq} V$$

$$= (8 \mu F) \times 5$$

$$Q = 40 \mu C$$

Now,

$$V_P - \frac{40}{10} = V_Q$$

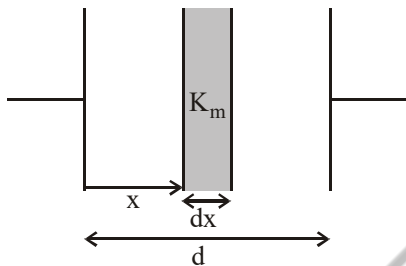
$$\boxed{V_P - V_Q = 4V}$$

(C) At $t = 0$, S_1 is closed, capacitor act as short circuit.

$$i = \frac{V}{R_{eq}} = \frac{5}{200} = 25 \text{ mA}$$

9. **Ans. (0.99 to 1.01)**

Sol. $\delta = dx = \frac{d}{N}$ & $\frac{m}{N} = \frac{x}{d}$



$$K_m = K \left(1 + \frac{m}{N} \right)$$

$$\Rightarrow K_m = K \left(1 + \frac{x}{d} \right)$$

$$C' = \frac{K_m A \epsilon_0}{dx}$$

$$\frac{1}{C_{eq}} = \int_0^d \frac{dx}{K_m A \epsilon_0} = \frac{1}{KA \epsilon_0} \int_0^d \frac{dx}{\left(1 + \frac{x}{d} \right)}$$

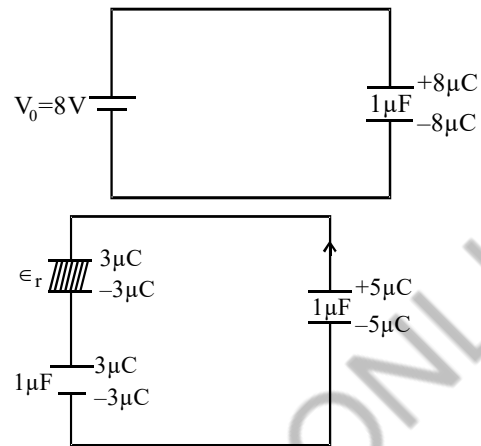
$$\Rightarrow \frac{1}{C_{eq}} = \frac{d}{KA \epsilon_0} \left[\ln \left(1 + \frac{x}{d} \right) \right]_0^d$$

$$\Rightarrow \frac{1}{C_{eq}} = \frac{d}{KA \epsilon_0} \left[\ln 2 - \ln(1) \right]$$

$$\Rightarrow C_{eq} = \frac{KA \epsilon_0}{d \ln 2} \Rightarrow \alpha = 1$$

10. **Ans. (1.50)**

Sol.



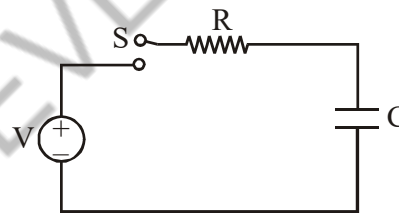
Applying loop rule

$$\frac{5}{1} - \frac{3}{\epsilon_r} - \frac{3}{1} = 0 \quad \frac{3}{\epsilon_r} = 2$$

$$\epsilon_r = 1.50$$

11. **Ans. (A)**

Sol.



When switch is closed for a very long time capacitor will get fully charged & charge on capacitor will be $q = CV$

Energy stored in capacitor

$$\epsilon_c = \frac{1}{2} CV^2 \quad \dots(i)$$

Work done by battery (ω) = $Vq = VCV = CV^2$
dissipated across resistance $\epsilon_D = (\text{work done by battery}) - (\text{energy stored})$

$$\epsilon_D = CV^2 - \frac{1}{2} CV^2 = \frac{1}{2} CV^2 \quad \dots(ii)$$

from (i) & (ii)

$$\epsilon_D = \epsilon_c$$

12. **Ans. (A)**

Sol. For process (1)

$$\text{Charge on capacitor} = \frac{CV_0}{3}$$

$$\text{energy stored in capacitor} = \frac{1}{2} C \frac{V_0^2}{9} = \frac{CV_0^2}{18}$$

$$\text{work done by battery} = \frac{CV_0}{3} \times \frac{V}{3} = \frac{CV_0^2}{9}$$

$$\text{Heat loss} = \frac{CV_0^2}{9} - \frac{CV_0^2}{18} = \frac{CV_0^2}{18}$$

For process (2)

$$\text{Charge on capacitor} = \frac{2CV_0}{3}$$

$$\text{Extra charge flow through battery} = \frac{CV_0}{3}$$

$$\text{Work done by battery} : \frac{CV_0}{3} \cdot \frac{2V_0}{3} = \frac{2CV_0^2}{9}$$

Final energy stored in capacitor :

$$\frac{1}{2}C\left(\frac{2V_0}{3}\right)^2 = \frac{4CV_0^2}{18}$$

energy stored in process 2 :

$$\frac{4CV_0^2}{18} - \frac{CV_0^2}{18} = \frac{3CV_0^2}{18}$$

Heat loss in process (2) = work done by battery in process (2) – energy stored in capacitor

$$\text{process (2)} = \frac{2CV_0^2}{9} - \frac{3CV_0^2}{18} = \frac{CV_0^2}{18}$$

For process (3)

$$\text{Charge on capacitor} = CV_0$$

extra charge flow through battery :

$$CV_0 - \frac{2CV_0}{3} = \frac{CV_0}{3}$$

work done by battery in this process :

$$\left(\frac{CV_0}{3}\right)(V_0) = \frac{CV_0^2}{3}$$

$$\text{find energy stored in capacitor} : \frac{1}{2}CV_0^2$$

energy stored in this process :

$$\frac{1}{2}CV_0^2 - \frac{4CV_0^2}{18} = \frac{5CV_0^2}{18}$$

heat loss in process (3) :

$$\frac{CV_0^2}{3} - \frac{5CV_0^2}{18} = \frac{CV_0^2}{18}$$

Now total heat loss (E_D) :

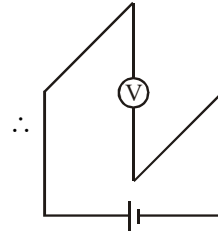
$$\frac{CV_0^2}{18} + \frac{CV_0^2}{18} + \frac{CV_0^2}{18} = \frac{CV_0^2}{6}$$

$$\text{final energy stored in capacitor} : \frac{1}{2}CV_0^2$$

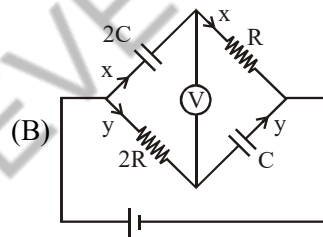
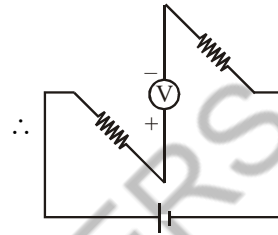
$$\text{so we can say that } E_D = \frac{1}{3}\left(\frac{1}{2}CV_0^2\right)$$

13. Ans. (A, B, C, D)

Sol. (A) At $t = 0$, capacitor acts as short-circuit



At $t \rightarrow \infty$, capacitor acts as open circuit & no current flows through voltmeter.



$$q_x = 2CV(1 - e^{-t/2CR}) \quad x = \frac{V}{R}e^{-t/2CR}$$

$$q_y = CV(1 - e^{-t/2CR}) \quad y = \frac{V}{2R}e^{-t/2CR}$$

$$\Delta V = -y2R + \frac{q_x}{2C}$$

$$= V[1 - 2e^{-t/2CR}] = 0$$

(C) $\tau = 1$ sec

So by $i = i_0e^{-t/\tau}$ current at $t = 1$ sec is i_0/e

(D) After long time no current flows since both capacitor & voltmeter does not allow.

14. Ans. (A)

Sol. This is the problem of RC circuit where the product RC is a constant.

So due to leakage current, charge & current density will exponentially decay & will become zero at infinite time. So correct answer is (A).

for any small element

$$\text{Resistance } R = \frac{dr}{\sigma(2\pi r\ell)}$$

$$\text{Capacitance } C = \frac{\epsilon 2\pi r\ell}{dr}$$

$$\text{Product } R \times C = \frac{\epsilon}{\sigma} = \text{constant}$$

$$q = q_0 e^{-\left(\frac{r\sigma}{\epsilon}\right)}$$

$$I = \frac{dq}{dt} = \frac{q_0\sigma}{\epsilon} e^{-\left(\frac{r\sigma}{\epsilon}\right)}$$

$$\text{Current density} = \frac{I}{A} = \frac{q_0 \frac{\sigma}{\epsilon} e^{-\frac{r\sigma}{\epsilon}}}{2\pi r\ell}$$

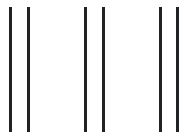
$$j \propto e^{-\frac{r\sigma}{\epsilon}}$$

15. **Ans. (D)**

Sol. $\frac{5\epsilon_0}{d} = C_1$

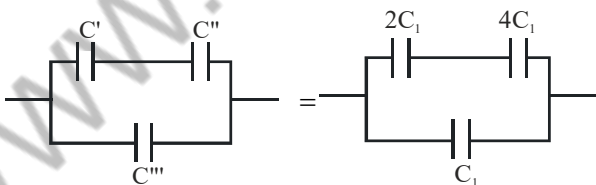
in new setup we have 3 different setups

$$5/2, \frac{d}{2}, \epsilon_1 \quad 5/2, \frac{d}{2}, \epsilon_2 \quad 5/2, d, \epsilon_1$$



$$C' = \frac{\frac{5}{2}\epsilon_1\epsilon_0}{d/2} = 2C_1 \Rightarrow C'' = \frac{\frac{5}{2}\epsilon_2\epsilon_0}{d/2} = 4C_1$$

$$C''' = \frac{\frac{5}{2}\epsilon_1\epsilon_0}{d} = C_1$$



$$C_2 = \left(\frac{1}{2C_1} + \frac{1}{4C_1} \right)^{-1} + C_1 = \frac{14}{6}C_1 = \frac{7}{3}C_1$$

$$\therefore \frac{C_2}{C_1} = \frac{7}{3}$$

16. **Ans. (A, D)**

Sol. $C_1 = \frac{K\epsilon_0(A/3)}{d}$ (With dielectric)

& let $C_2 = \frac{\epsilon_0(2A/3)}{d}$ (without dielectric)

$$C = \frac{K\epsilon_0 A/3}{d} + \frac{\epsilon_0 2A/3}{d} = \frac{\epsilon_0 A/3}{d} [K+2]$$

$$\therefore \frac{C}{C_1} = \frac{K+2}{K}$$

As potential difference is same and gap is same.

$$\therefore E_1 = E_2, \quad \therefore \frac{E_1}{E_2} = 1$$

$$Q_1 = C_1 V, \quad Q_2 = C_2 V$$

$$\frac{Q_1}{Q_2} = \frac{C_1}{C_2} = \frac{K}{2}$$